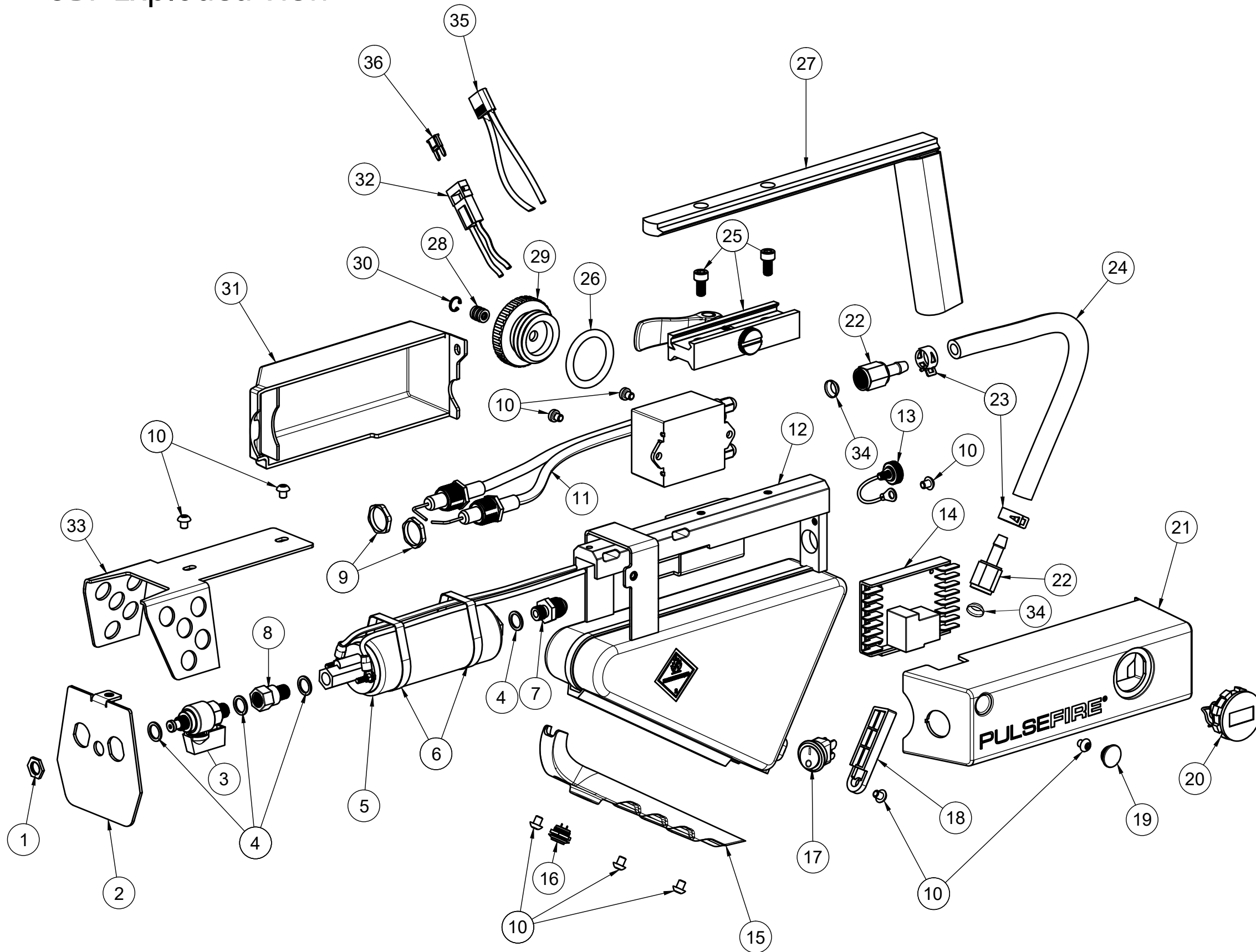


UBF Exploded View



Item	Part Number
1	PART-NUT-NOZZLE
2	PART-NOZ-SHIELD-LOWER-UBF
3	PF-NOZZLE-STANDARD
4	PART-COPPERWASHER-M10
5	PART-FUELPUMP
6	PART-CLAMP-PUMP
7	PART-37JIC-M10-ADAPTER
8	PART-CV-PUMP
9	PART-NUT-ELECTRODE
10	PART-SCREW-IBP
11	HVT-KIT
12	PART-UBF-WELDEDBODY-BLK
13	THUMBSCREW-TETHER
14	PART-PCBA-UBF
15	PART-UBF-GRIP
16	PART-SW-TRIG-UBF
17	PART-SW-4WP
18	PART-UBF-KICKSTAND
19	PART-UBF-PLUG
20	PART-VOLT-GAUGE-ASM
21	PART-UBF-COVER-LH-BLK
22	AN-KIT
23	PART-CLAMP-SPRING
24	PART-HOSE-VITON
25	UBF-ADAPTER
26	PART-ORING-FUELCAP
27	PART-HANDLE-UBF-BLK
28	PART-CV-CAP
29	PART-FUELCAP-ODG
30	PART-SNAPRING-FUELCAP
31	PART-UBF-COVER-RH-BLK
32	PART-FUSEHOLDER
33	PART-NOZ-SHIELD-UPPER-UBF
34	PF-COPPER-SEALS-4
35	PART-XT60-WIRES
36	PART-FUSE